



Effective Date: 2015.09.30

Author: MQMBE0

Version: 2

Document Chinese Title: 17.3" ( G173HW series )TFT-LCD 進料檢驗規範

Document English Title: Incoming Inspection Standard For 17.3" (G173HW series) TFT-LCD Modules

---

AU OPTRONICS CORPORATION  
Specification for Approval  
INCOMING INSPECTION STANDARD FOR  
17.3" TFT-LCD MODULES ( A+ )  
Model Name: G173HW Series

Approved By	Prepared By
<b><i>IvanTing</i></b>	<b><i>HunglinTsai</i></b>

General Display Business Unit/AU Optronics

Customer	Checked and Approved by



Effective Date: 2015.09.30

Author: MQMBE0

Version: 2

Document Chinese Title: 17.3" ( G173HW series )TFT-LCD 進料檢驗規範

Document English Title: Incoming Inspection Standard For 17.3" (G173HW series) TFT-LCD Modules

Revision History				
Rev.	Date	Page	Change Content	Reviser
0	2011.Feb. 28	All	Initial Specification	YenChun Fu
1	2013.Sep.01	All	1. Format changed 2. Add drawing in item3. Inspection sampling method for MIL-STD-105E. 3. Modification: item6.1 Electrical inspection specification,add the criteria for small BP and Image retention. 4.Modification: Item6.2 Appearance inspection specification.	YenChun Fu
2	2015.Sep.30	8	6.2 Inspection specification modification	Hunglin Tsai

\_(Note 1) The revised inspection criteria is effective before the expiration of the IIS as specified

**1. Scope:**

1.1 The incoming inspection standards shall be applied to TFT-LCD Modules (hereinafter called “Modules”) that supplied by AU Optronics Corporation (hereinafter called “seller”).

1.2 Specifications contains

- Electrical inspection specification
- Appearance specification
- Outside dimension specification

**2. Incoming inspection:**

The buyer (customer) shall inspect the modules within twenty calendar days since the delivery date (the “inspection period”) at its own cost. The results of the inspection (acceptance or rejection) shall be recorded in writing, and a copy of this writing will be promptly sent to the seller.

The buyer may, under commercially reasonable reject procedures, reject an entire lot in the delivery involved. Within the inspection period, if the samples of modules within a lot show a number of unacceptable defects in accordance with this incoming inspection standards, the buyer must notify the seller in writing of any such rejection promptly, and not later than within three business days in the end of the inspection period.

Should the buyer fail to notify the seller within the inspection period, the buyer’s right to reject the modules shall be lapsed and the modules shall be deemed to have been accepted by the buyer.

**3. Inspection sampling method:**

Unless otherwise agree in writing, the method of incoming inspection shall be based on MIL-STD-105E.

3.1 Lot size: Quantity per shipment lot per model.

3.2 Sampling type: Normal inspection, single sampling.

3.3 Sampling level: Level II.

3.4 Acceptable quality level (AQL):

Major defect: AQL=1.0%.

Minor defect: AQL=2.5%.

**Fig.1: Inspection Sampling standard for MIL-STD-105E :**

批量	特殊檢驗水準				一般檢驗水準		
	S-1	S-2	S-3	S-4	I	II	III
2~8	A	A	A	A	A	A	B
9~15	A	A	A	A	A	B	C
16~25	A	A	B	B	B	C	D
26~50	A	B	B	C	C	D	E
51~90	B	B	C	C	C	E	F
91~150	B	B	C	D	D	F	G
151~280	B	C	D	E	E	G	H
281~500	B	C	D	E	F	H	J
501~1,200	C	C	E	F	G	J	K
1,201~3,200	C	D	E	G	H	K	L
3,201~10,000	C	D	F	G	J	L	M
10,001~35,000	C	D	F	H	K	M	N
35,001~150,000	D	E	G	J	L	N	P
150,001~500,000	D	E	G	J	M	P	Q
500,000以上	D	E	H	K	N	Q	R

**Rig.2 Incoming inspection judgment method :**

**表14-2 MIL-STD-105E正常檢驗單次抽樣計畫**

樣本代字	樣本數	允收品質水準 (AQL · %)																											
		0.010	0.015	0.025	0.040	0.065	0.10	0.15	0.25	0.40	0.65	1.0	1.5	2.5	4.0	6.5	10	15	25	40	65	100	150	250	400	650	1000		
		Ac Re	Ac Re	Ac Re	Ac Re	Ac Re	Ac Re	Ac Re	Ac Re	Ac Re	Ac Re	Ac Re	Ac Re	Ac Re	Ac Re	Ac Re	Ac Re	Ac Re	Ac Re	Ac Re	Ac Re	Ac Re	Ac Re	Ac Re	Ac Re	Ac Re	Ac Re	Ac Re	
A	2	↓	↓	↓	↓	↓	↓	↓	↓	↓	↓	↓	↓	↓	↓	↓	↓	↓	↓	↓	↓	↓	↓	↓	↓	↓	↓		
B	3	↓	↓	↓	↓	↓	↓	↓	↓	↓	↓	↓	↓	↓	↓	↓	↓	↓	↓	↓	↓	↓	↓	↓	↓	↓	↓		
C	5	↓	↓	↓	↓	↓	↓	↓	↓	↓	↓	↓	↓	↓	↓	↓	↓	↓	↓	↓	↓	↓	↓	↓	↓	↓	↓		
D	8	↓	↓	↓	↓	↓	↓	↓	↓	↓	↓	↓	↓	↓	↓	↓	↓	↓	↓	↓	↓	↓	↓	↓	↓	↓	↓		
E	13	↓	↓	↓	↓	↓	↓	↓	↓	↓	↓	↓	↓	↓	↓	↓	↓	↓	↓	↓	↓	↓	↓	↓	↓	↓	↓		
F	20	↓	↓	↓	↓	↓	↓	↓	↓	↓	↓	↓	↓	↓	↓	↓	↓	↓	↓	↓	↓	↓	↓	↓	↓	↓	↓		
G	32	↓	↓	↓	↓	↓	↓	↓	↓	↓	↓	↓	↓	↓	↓	↓	↓	↓	↓	↓	↓	↓	↓	↓	↓	↓	↓		
H	50	↓	↓	↓	↓	↓	↓	↓	↓	↓	↓	↓	↓	↓	↓	↓	↓	↓	↓	↓	↓	↓	↓	↓	↓	↓	↓		
J	80	↓	↓	↓	↓	↓	↓	↓	↓	↓	↓	↓	↓	↓	↓	↓	↓	↓	↓	↓	↓	↓	↓	↓	↓	↓	↓		
K	125	↓	↓	↓	↓	↓	↓	↓	↓	↓	↓	↓	↓	↓	↓	↓	↓	↓	↓	↓	↓	↓	↓	↓	↓	↓	↓		
L	200	↓	↓	↓	↓	↓	↓	↓	↓	↓	↓	↓	↓	↓	↓	↓	↓	↓	↓	↓	↓	↓	↓	↓	↓	↓	↓		
M	315	↓	↓	↓	↓	↓	↓	↓	↓	↓	↓	↓	↓	↓	↓	↓	↓	↓	↓	↓	↓	↓	↓	↓	↓	↓	↓		
N	500	↓	↓	↓	↓	↓	↓	↓	↓	↓	↓	↓	↓	↓	↓	↓	↓	↓	↓	↓	↓	↓	↓	↓	↓	↓	↓		
P	800	↓	↓	↓	↓	↓	↓	↓	↓	↓	↓	↓	↓	↓	↓	↓	↓	↓	↓	↓	↓	↓	↓	↓	↓	↓	↓		
Q	1250	↓	↓	↓	↓	↓	↓	↓	↓	↓	↓	↓	↓	↓	↓	↓	↓	↓	↓	↓	↓	↓	↓	↓	↓	↓	↓		
R	2000	↓	↓	↓	↓	↓	↓	↓	↓	↓	↓	↓	↓	↓	↓	↓	↓	↓	↓	↓	↓	↓	↓	↓	↓	↓	↓		

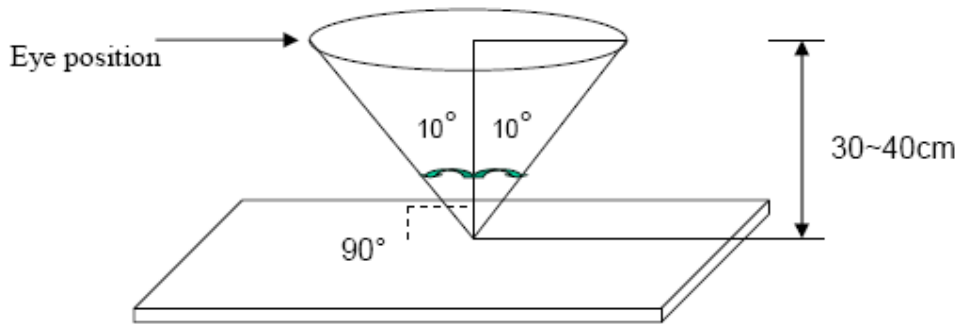
↓ - 採用箭頭下第一個抽樣計畫，如樣本大小等於或超過批量時，則用全數檢驗。  
 ↑ - 採用箭頭上第一個抽樣計畫。Ac=允收數、Re=拒收數。

**4. Inspection instruments:**

- 4.1 Pattern generator: LD-2000 or equivalent model.
- 4.2 Video board: AU video board or equivalent. The output of the signal should comply with the specification provided by AU.
- 4.3 Luminance colorimeter: Topcon BM-7 or equivalent model

## 5. Inspection environment conditions:

- 5.1 Room temperature : 20 ~ 25 C.
- 5.2 Humidity: 65±5% RH.
- 5.3 Illumination: Fluorescent light (Day-Light Type) display surface illumination to be 300 ~ 700 lux. (standard 500 lux.)
- 5.4 To be a distance about 35 ± 5 cm in front of LCD unit, viewing line should be perpendicular to the surface of the module judge the visual appearance with human's eyes.
- 5.5 Take off the protector of polarizer while judging the display area.
- 5.6 If there is any question while judging, check the panel again while operating.



## 6. Classification of defects:

Defects are classified as major defects and minor defects according to the degree of defectiveness defined herein.

### Major defects:

A major defect is a defect that is likely to result in failure, or to reduce materially the usability of the product for its intended purpose.

### Minor defects:

A minor defect is either a defect that is not likely to reduce materially the usability of the product for its intended purpose, or a departure from an intended purpose with little bearing on the effective use or operation of the product.

6.1 Electrical inspection specification:

Inspection Item		Specification
Line defect		Can't be seen.
Bright dots		0 dot
Dark dots		3 dots
Total dots defect		3 dots
Continuous defect	Two continuous bright dots :	Not allowed
	Over three continuous bright dots (vertical, horizontal, oblique) :	Not allowed
	Two continuous dark dots (vertical, horizontal, oblique) :	1 pair
	Over three continuous dark dots (vertical, horizontal, oblique) :	Not allowed
	Two continuous dark dots and bright dots (vertical, horizontal, oblique) :	Not allowed
	Over three continuous dots (vertical, horizontal, oblique) :	Not allowed
	Distance between 2 Bright dots :	Not allowed
	Distance between 2 Dark dots :	≥ 15 mm
	Distance between Dark dot and Bright Dot :	Not allowed
Mura		6% ND filter

Note 1) For dot defect, one sub pixel is defined as one dot. Defect area (of dot defect) should be larger than 1/2 area of one sub-pixel to be count as 1 dot defect.

Note 2) A dot defect that is smaller than the defined dot defect will be treated as small bright dot.

The drawing of 1/2 area sub-pixel definition: The 1/2 area sub-pixel can be defined as below one or more of specific shapes (Fig.1). The small bright dots is less than or equal to 10 dots.



Fig.1

Note 3) Judgment criteria (For Bright dot and Small Bright dot) : Using ND Filter 5% (distance : 30 cm). If it could be observed, dot defines as one bright dot. If not, dot defines as one small bright dot.

Note 4) All bright dot defects should not be noticeable by observer under specified inspection environment (Please refer to item 5).

Note 5) Adjacent-dot defect should be observed under the same display pattern in any one of Black/Green/Blue/Red pattern.

Definition of two continuous bright dots: Only for two continuous dots (included vertical, horizontal, oblique type)

\*Inspection pattern: Standard inspection patterns of dot defect are listed below. AU uses these patterns as standard criteria for judging dot defect. Please inform AU if any other pattern is to be used to examine dot defect.

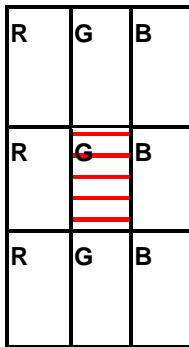
Test Pattern	Defect
Black	For bright dot(s)
Red	For bright and dark dot(s)
Green	For bright and dark dot(s)
Blue	For bright and dark dot(s)

Note 7) In three (or more) adjacent dot defect, for any 3<sup>rd</sup> dot that adjacent to 2 continuous defective dots (can be of any combination of bright dots and dark dots), the 3<sup>rd</sup> dot, no matter how large it may be, should be viewed as a dot.

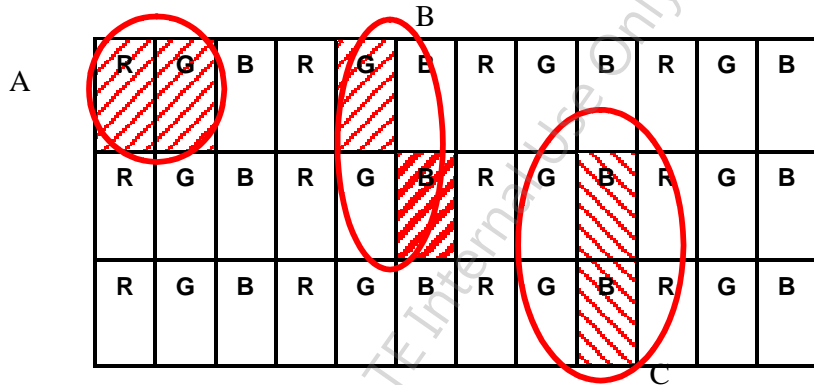
Note 8) Defect criteria diagram

- Dot defect diagram

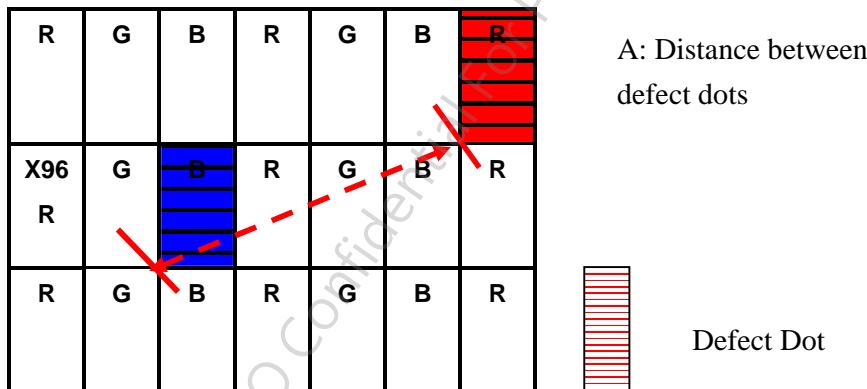
One dot (Bright /Dark)



Two continuous dots(Bright/Dark)



- Definition of distance between defect dots as following



Note 9) Image Retention: 5secs Test pattern and Image sticking must be disappeared in 5 secs after pattern changed



Effective Date: 2015.09.30

Author: MQMBE0

Version: 2

Document Chinese Title: 17.3" ( G173HW series )TFT-LCD 進料檢驗規範

Document English Title: Incoming Inspection Standard For 17.3" (G173HW series) TFT-LCD Modules

6.2 Inspection specification

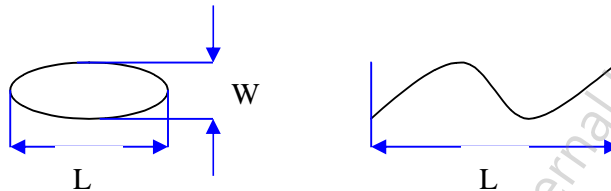
Judge area	Judge item		Inspection specification			Judge criterion		
						Major	Minor	
Active area	Particles,	Circular	<b>Average diameter: D (mm)</b>		<b>Numbers</b>			
			D<0.4		Disregarded			
			0.4 D<0.6		N 10			
		0.6<D		N=0				
		Linear	<b>Width: W (mm)</b> <b>Length: L (mm)</b>		<b>Numbers</b>			
			W 0.05	L 2	Disregarded			
			0.05<W 0.07	2<L 5	N 3			
			W>0.07	L>5	N=0			
		Scratch/Dent	Circular	<b>Average diameter: D (mm)</b>				<b>Numbers</b>
	D<0.4			Disregarded				
	0.4 D<0.6			n 10				
	0.6<D		n=0					
	Linear		<b>Width: W (mm)</b> <b>Length: L (mm)</b>		<b>Numbers</b>			
			W 0.05	L 2	Disregarded			
			0.05<W 0.07	2<L 5	N 3			
W>0.07			L>5	N=0				
Bubble	Circular		<b>Average diameter: D (mm)</b>		<b>Numbers</b>			
		D<0.4		Disregarded				
		0.4 D<0.6		n 10				
		0.6<D		n=0				
Bezel	Bezel deformation		W 0.5	L 50	n 3			
	Gap between front and back bezel on all sides		W 0.8mm					
	Scratches, Wrap and Sunken		No harm, dangerous					
	Assembly Fail		Not allowed					
	Color Difference		Allowed (No harm, dangerous)					
Carton and Panel Label(S/N,B/L,WEEK)	No label		Not allowed					
	Invert label							



	Broken			
	Dirt	No larger than 30mm×20mm.		
	Not clear	Word can be read. Barcode can be scanned.		
	Word out of shape			
	Content Error	No allowed		
	Position	Be attached on right position		
	Crease	No		
	Label overlapping	Allowed		
Screw	Not enough (Q'ty)	No		
	Loose	No		
Connector	Appearance	No broken, rising, deformation		

Note 1 : When  $L \geq 2W$ , defect count as liner defect.

Note 2:  $D = 1/2(W+L)$



Note 3 : Extraneous substances which can be wiped out, such as fingerprint and particles are not considered as a defect.

Note 4 : Defects on the Black Matrix (outside Active Area 0.3mm) are not considered as a defect.

Note:5 :ND filter use method The inspection method of ND Filter - holding ND filter in front of the panel around 10 mm and examine the panel from  $35 \pm 5$  cm in the front view for 1 seconds.

**7. Inspection judgement:**

- 7-1 The judgement of the shipped lot (acceptance or rejection) should follow the sampling plan of MIL-STD-105E, single sampling, normal inspection, level II.
- 7-2 If the number of defects is equal to or less than the applicable acceptance level, the lot shall be accepted.
- 7-3 If the number of defects is more than the applicable acceptance level, the lot shall be rejected and the buyer should inform the seller of the result of incoming inspection in writing



Effective Date: 2015.09.30

Author: MQMBE0

Version: 2

Document Chinese Title: 17.3" ( G173HW series )TFT-LCD 進料檢驗規範

Document English Title: Incoming Inspection Standard For 17.3" (G173HW series) TFT-LCD Modules

---

---

## 8 Precaution:

Please pay attention to the following items when you use the LCD Module with back-light unit.

1. Do not twist or bend the module and prevent the unsuitable external force for display module during assembly.
2. Adopt measures in adequately ventilated environment. Be sure to use the module in the specified temperature range.
3. Avoid dust or oil mist during assembly.
4. Follow the correct power sequence while operating. Do not apply the invalid signal, otherwise, it will cause improper shut down and damage the module.
5. Try to avoid the electrical magnetic interference, and it will be more safety and less noise.
6. Please operate module in suitable temperature. The response time & brightness will drift by different temperature.
7. Avoid displaying the fixed pattern (exclude the white pattern) in a long period, otherwise, it will cause image sticking.
8. Be sure to turn off the power when connecting or disconnecting the circuit.
9. Display surface Polarizer scratches easily, please avoid dirt and stains carefully.
10. A dewdrop may lead to destruction. Please wipe off any moisture before using module.
11. Sudden temperature changes cause condensation, and it will cause polarizer damaged.
12. High temperature and humidity may degrade performance. Please do not expose the module to the direct sunlight and so on.
13. Avoid any acid or chlorine compounds, which are harmful to the LCD module.
14. Static electricity will damage the modules; please do not touch the module without any grounded device connected.
15. Do not disassemble and reassemble the module by self.
16. Do not touch the rear side directly to avoid the electrical shock by the backlight high voltage.
17. Avoid strong vibration or shock. or it will cause the module broken.
18. Store the modules in suitable environment with regular packing.
19. Be careful of injury from a broken display module. Please avoid the pressure adding to the surface (front or rear side) of modules, because it will cause the non-uniformity or other function issue to display.

AU Optronics Corp.

No. 1, Li-Hsin Rd. II,

Science-Based Industrial Park,

Hsin-Chu City, Taiwan, R.O.C.Tel :886-3-500-8800

Fax:886-3-666-9320