
APPROVAL SHEET

Industrial specification driver board

Model: JBEEV3-V56-V0.4



JBEEV3-V56-V0.4

Basics : 1 VGA/ 1 HDMI/ 1USB/ 2AV

Maximum supported resolution : 1920x1200

Content

1 Version History	3
2 Product Overview	4
3 Product Features	4
4 Parameters	5
5 Action Menu	5
5.1 OSD Menu function keys	5
6 Connection terminal definition	6
6.1 Power input terminal (J103)	6
6.2 Backlight port (J104)	6
6.3 LVDS output (J302)	6
6.4 Button port (J201)	7
6.5 Speaker output (J802)	7
6.6 Audio Input (J803)	7
7 Supported decoding formats	8
8 Product images	9
9 Size information	10
10 Our remote control style	11
11 Factory menu settings	12

2 Product Overview

Thank you for purchasing our driver board products. Before connecting the LCD screen, please confirm that all accessories are compatible. Please pay special attention to the specifications of the driver screen LVDS line.

This driver board is mainly used to support TFT LCD screens. The driver board has 1 VGA, 2 AV inputs, 1 USB, 1 HDMI interface, and supports LVDS (6-bit, 8-bit) output. The motherboard uses Mstar signal processing chip, which has powerful processing functions and can support various specifications of standard and non-standard signals. Use high-specification devices with good working performance.

- * Operating temperature range -20 to 50°C
- * Supports maximum resolution up to 1920x1200
- * Can receive remote control function

3 Product Features

2 AV signal inputs, 1 VGA, 1 HDMI, 1 USB

Format support: NTSC M, NTSC-J, NTSC 4.43, PAL (B, D, G, H, M, N, I, Nc), 3D image filtering

OSD display and control

Support boot screen

Support infrared remote control signal control

Support flip function

Audio input and output function

Special features:

1) High-definition multimedia decoding, full HD 1080P support, optional 2x8W amplifier support for the board.

2) True color boot screen.

4 Performance parameters

Item	Description	min	typ	Max	Unit	Note
Vin	Input voltage	12	24	28	V(dc)	Note1)
Iin	Input Current		0.4		A	24V input (Board only)
I _r	Inrush current			1.5	A	
V _{adj}	Backlight voltage adjustment	0	T	5V	V(dc)	
H _{st}	Storage humidity	5		85	%RH	
H _{op}	Operating humidity	20		80	%RH	
T _{st}	Storage temperature	-20		65	°C	
T _{op}	Operating temperature	-20		50	°C	

Note1) : Because the voltage of the backlight panel is taken from the main board, please pay attention to the input voltage of the backlight panel.

5 Action Menu

5.1 OSDMenu function keys

POWER	Power switch button
MENU	Menu/Exit
SOURCE	Manually switch input signal
LEFT	Left/Increase
RIGHT	Right/Decrease

6 Connection terminal definition

6.1 Power input terminal (J103)

Pin No.	Function	Pin No.	Function
1	GND	3	24VIN
2	GND	4	24VIN

6.2 Backlight port (J104)

Pin No.	Function	Pin No.	Function
1	+12V	4	BL-ADJ
2	+12V	5	GND
3	BL-ON/OFF	6	GND

6.3 LVDS Output (J302)

Pin No.	Function	Pin No.	Function
1	VCC	16	RXOC+
2	VCC	17	RXO3-
3	VCC	18	RXO3+
4	GND	19	RXE0-
5	GND	20	RXE0+
6	GND	21	RXE1-
7	RXO0-	22	RXE1+
8	RXO0+	23	RXE2-
9	RXO1-	24	RXE2+
10	RXO1+	25	GND
11	RXO2-	26	GND
12	RXO2+	27	RXEC-
13	GND	28	RXEC+
14	GND	29	RXE3-
15	RXOC-	30	RXE3+

Note: Supports single and double channel 8-bit data. When connecting a single LVDS screen, please connect O (odd channel) close to the power pin.

6.4 Button port (J201)

Pin No.	Function	Pin No.	Function
1	+5V	8	RIGHT
2	IR- IN	9	LEFT
3	GND	10	SOURCE
4	POWER	11	MENU
5	R(LED)	12	H+
6	G(LED)	13	H-
7	GND		

6.5 Speaker output (J802)

Pin No.	Function	Pin No.	Function
1	SPL+	3	SPR-
2	SPL-	4	SPR+

6.6 Audio Input (J803)

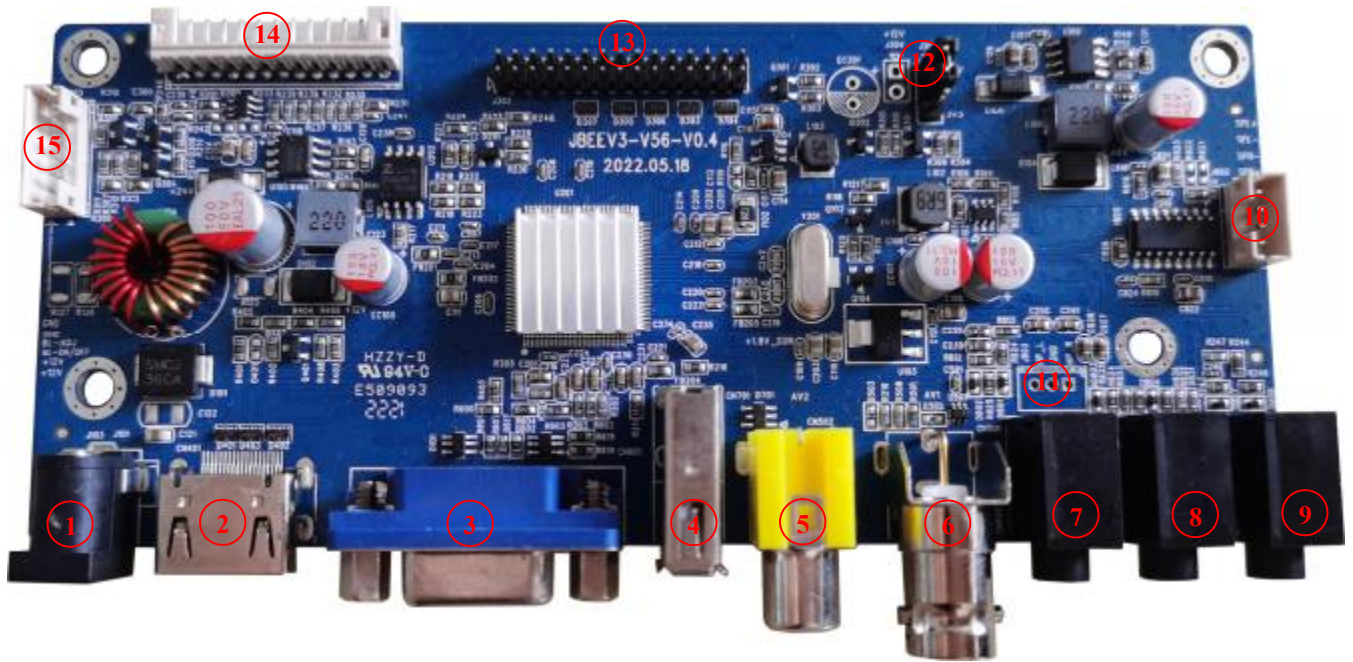
Pin No.	Function	Pin No.	Function
1	HP_R	3	HP_L
2	GND		

Note: All ports are 2.0mm pitch (except the screen voltage selection port which is 2.54mm)

7 Supported decoding formats

MOVIE	AVI	MJPEG	MP3	TheMaxResolutionAndFrame Rate:1080p@30fps Max Data Rate:10Mbps
		MPEG-4		
		MPEG-2		
		XVID		
	MP4. H.264	MPEG-2	WMA	The MaxResolution And Frame Rate:1080p@30fps Max Data Rate:20Mbps
		MPEG-4		
	TS/TRP	MPEG-2	AAC	
	MPG	MPEG-1	MP2	
		MPEG-2		
	DAT	MPEG-1	MP2	
VOB				
RM/RMVB	RV8,RV9,RV10	COOK	TheMaxResolutionAndFrame Rate:1080p@30fps Max Data Rate:10Mbps	
PHOTO	JPG	Progressive JPEG	Max Resolution:1024x768	
	JPEG	Baseline JPEG	Max Resolution:15360x8640	
	BMP	---	Max Resolution:9600x6400 Pixel Depth:1/4/8/16/4/32 bpp	
	PNG	Non-Interlaced	Max Resolution:9600x6400	
		Interlaced	Max Resolution:1200x800	
MUSIC	MP3	---	MP3	Sample Rate:32K ~ 48KHz
	WMA	---	WMA	Bit Rate:32K ~ 320Kbps Channel:Mono/Stereo
	MP4A/AAC	---	AAC	Sample Rate:8K ~ 48KHz Bit Rate:24K ~ 320Kbps Channel:Mono/Stereo
<p>Others:</p> <ol style="list-style-type: none"> 1) Support hard disk, up to 400G 2) Folders can be up to 30 levels deep 3) Each folder can support up to 5000 files 4) File system supports Hi Speed FS, FAT32, FAT16, NTFS (NTFS compressed is not supported) 				

8 Product images



Note: The above pictures are for reference only, the actual product shall prevail

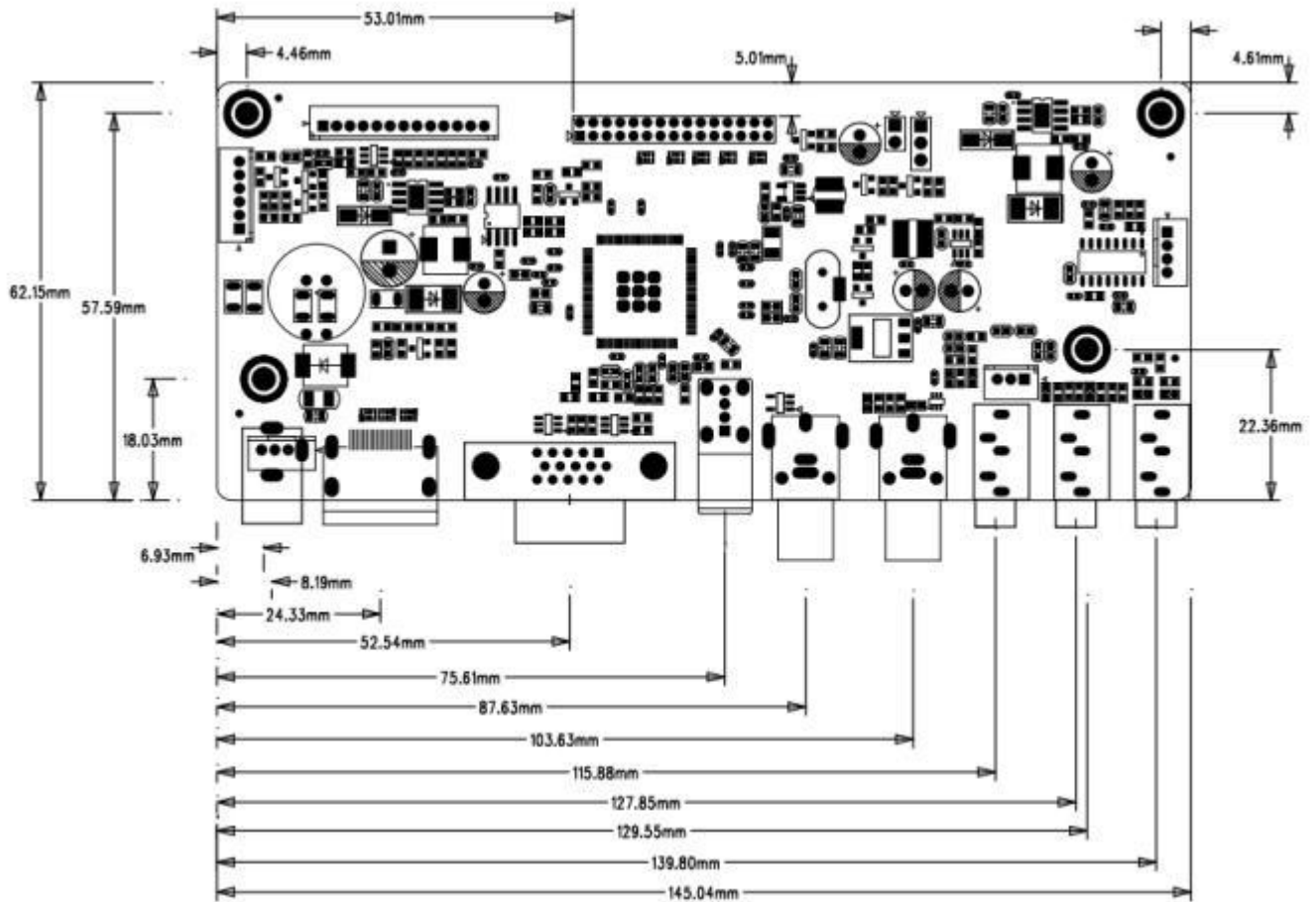
No	Position No.v	Function
1	J101&J103	Power standard socket and power PIN socket
2	CN401	HDMI
3	CN601	VGA
4	CN701	USB
5	CN502	AV2
6	CN501	AV1
7	CN800	Audio Input
8	CN801	Audio Output
9	CN200	IO/ADC
10	J802	Speaker
11	J803	Audio Input
12	J301&J304	Screen voltage selection
13	J302	Screen cable holder
14	J201	button
15	J303	Backlight

9 Size information

PCB thickness: 1.6 mm

Overall height: 15 mm

Size: 145.04 x 62.15 mm



10 Our remote control style



If you need to pair with a customer remote control, please contact us.

11 Factory menu settings

1) How to enter the factory menu

Press "LEFT" + "LEFT" + "RIGHT" + "RIGHT" + "MENU" on the remote control to enter the factory menu.

2) Some factory menu settings

The flip mode, signal channel switch and FM transmission frequency can be set through the factory menu.

1) Flip mode: Enter the factory menu--->SPECIAL SET--->MIRROR MODE--->ON/OFF.

2) Signal channel switch: You can set the switch of RGB, AV, HDMI, and USB channels. Enter the factory menu--->INPUTSOURCE SET--->Set the switch of each channel separately.